

The Navigator

The Newsletter of Alamo Squadron

*The San Antonio chapter of the International Plastic Modelers' Society
A registered 501c-7*

June 2018



IPMS/USA Chapter of the Year:

1998-1999 & 2004-2005

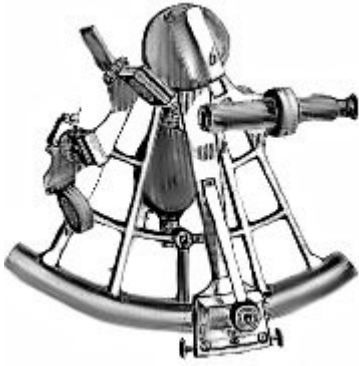
IPMS/USA Regional Chapter of the Year: 2016

Need Some Maschinen For Your Krieger?

Craig Builds the
"WhiteKnight"

Inside This Issue:

- ***ModelMania & ScaleFest Show Reports***
- ***Kit of the Month: The Saturn V Rocket***
- ***Club Member How-To: Seams***
- ***Beijing Model Shop Review***
- ***The History of Alamo Sq Continues...***



President's Column

By Herb Scranton III
IPMS #48314



President's Message - June 2018

Greetings fellow members,

Summer is finally here with the wonderful moderate temperatures of south Texas. What a nice change from the snow, ice and freezing cold of winter. Whoops I was thinking of my childhood home in Connecticut. When I was a kid we did a lot of our modeling in the winter and summers were spent outside. Now that I live in San Antonio where the weather is pretty moderate year round I find that my modeling is spread out throughout the whole year. This got me thinking about then and now.

THEN; my first model was an AMT 1963 Ford F-100. It cost me \$2.07 and \$.10 for a tube of Testors glue at Jacks Varsity store. It took me a few weeks of cutting lawns and odd jobs to get the money for the model. When I got it home I got a pair of fingernail clippers, one of mom's emery boards, small needle nose pliers and said glue and went right to work. It probably took me about 3 hours to build it and I couldn't wait to build another one (AMT 64 Corvette). I didn't have a stash then, I bought or was gifted a model and built it.

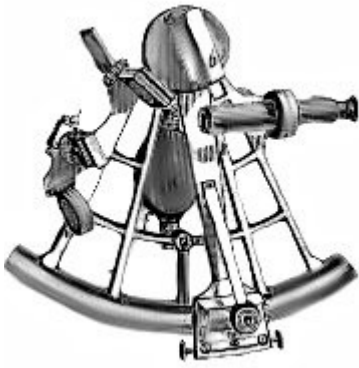
Now; I bought an AMT 1963 Ford F-100 at Model Fiesta for \$135.00. I have several different types of glues and too many tools to mention. I spent hours just doing research on colors of paint and how the truck was painted. Bought paint to match one of the original colors of the truck, cost me more than what I paid for the first model. I spent about 10 hours just on the motor and still have a long way to go before this model will be completed. I have a stash of models that would probably take me 100 years to build. I

have purchased every model I wanted as a kid but couldn't afford and then some.

So here is a challenge to my fellow members, write a short story of your THEN and NOW. Writing a short article for our newsletter isn't that hard and seeing your name as the author is pretty nice too.

Cheers.





Club Announcements

IPMS National Convention 2018: Build It, Bring It, Show It!

June 1st means we are exactly 2 months away from the **2018 IPMS/USA National Convention**, this year hosted by our good friends in Phoenix. Dates of the convention are 1-4 August. There has been discussion about this Nats at previous meetings as logistical plans are being made by several members to attend this year's big show. If you are interested in attending please get with Len and he can help you work your plans for a successful visit. Be sure to check out the site: www.ipmsusnationals2018.org to take care of several items: reserve your hotel room, purchase your banquet tickets, and register for the convention. Remember, in order to participate in the contest - with unlimited model entries free with registration - you have to be a *current* IPMS/USA member.

Kit of the Month

Each month a member will bring one of their recent acquisitions and open it to let others peek inside the box. With a few brief comments and few questions answered, we will get to know what's in the box and if we will rush home to order a copy. When you are ready to present, contact and coordinate with Len at pilhofer@hotmail.com

Alamo Squadron Build Days

Alamo Squadron has secured the Hobby Town Community Room on the **first Saturday of each month for the rest of 2018**. We will hold the build day from 12:00-4:00PM on each of these Saturdays. The intent of these build days is to move more of the social and building aspect of our meetings to a more conducive environment...and what better environment than a hobby store! There will be no set format but if a member wishes to see a first hand demo on a certain tech-

nique then this is the perfect opportunity to make it happen. We hope that many club members will take the opportunity to participate. And added bonus is that we will be able to recruit for Alamo Squadron while at this establishment answering any and all questions of passers-by.



Monthly Contest Schedule

June	Open
July	Open
August	The Color White
September	Open
October	Open
November	Out of Your Element

Monthly Program Schedule

Here is a quick rundown of the upcoming programs that will be presented at our monthly meetings:

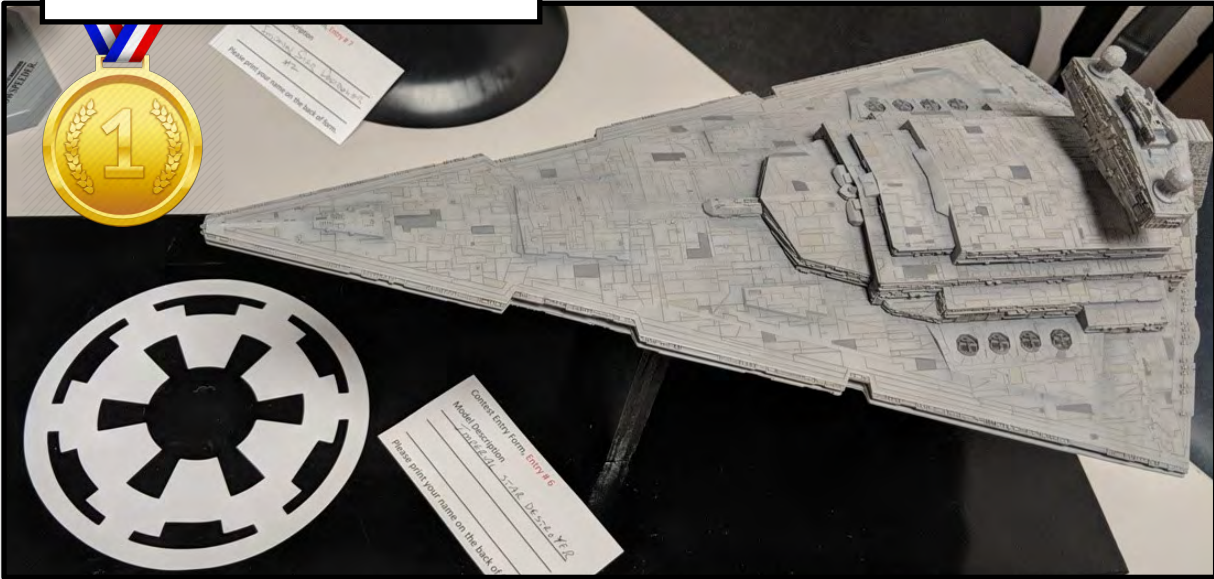
- June: Basic Gluing and Seam Filling
- July: Dioramas, Part II
- August: SWAP MEET
- September: Using Acrylics
- October: Mold Making/Resin Pouring
- November: Decaling with Future/PFC
- December: White Elephant Gift Exchange
- January: Basic Figure Painting

Club Announcements

May Contest Results

“May The Fourth Be With You”

First Place:
Imperial Star Destroyer
Len Pilhofer

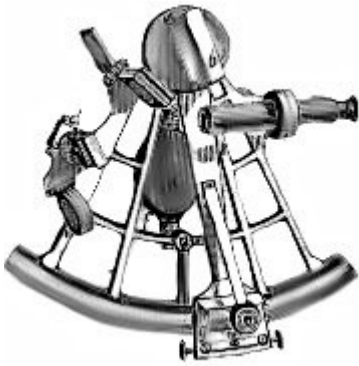


Second Place:
Snow Speeder
Dick Montgomery



Third Place:
AT-AT
Gilberto





Kit(s) of the Month

The Saturn V

Presented by Craig Gregory
IPMS #49320



Who doesn't love the Saturn V, the heavy-lift system that landed men on the moon and lofted Skylab into orbit? Original there where the Airfix's and Revell's 1/144th offerings, then Revell's 1/96th scale kit and most recently, Dragon's 1/72nd scale monster.

Airfix's 1/144th scale model makes a decent "stack" display; it lacks the details to show any of the internal details. Airfix's version is more dimensionally correct than Revell's 1/144th offering. And its toyish stage interconnect would require a lot of modification to display the stack disassembled. But of course an ambitious and skilled modeler would have little trouble. Airfix also offers a Skylab version. Note that if you purchase the Skylab version, it includes the sprue trees for the Apollo payload.

Revell's 1/96th scale kit offers more detail and with the omnipresent aftermarket offerings, these details can be easily improved. There are some dimensional errors that are easily corrected. This kit may be the happy medium in size/prize and accuracy.

Of course you can never go wrong with bigger, right? Enter Dragon's 1/72nd scale behemoth; both Apollo and Skylab kits are available. But at last, the detail is not what I hoped for. There are many small engine details that I was hoping to see in this kit. For example, some of the helium tanks and plumbing that is visible around the engines of the 2nd and 3rd stages.

I have a few other Saturn's in other scales and hope to eventually put together a collection to enter in contests called "Saturn's in Scales". (As long as I plan to build them, I get to add to my stash, right?)

Subject: Apollo Saturn V
Manufacturer: Airfix
Product/Stock #: A11170
Scale: 1/144th
MSRP: \$50 (EBAY)



Subject: Apollo: Saturn V
Manufacturer: Revell
Product/Stock #: 04805
Scale: 1/96th
MSRP: \$90 (EBAY)

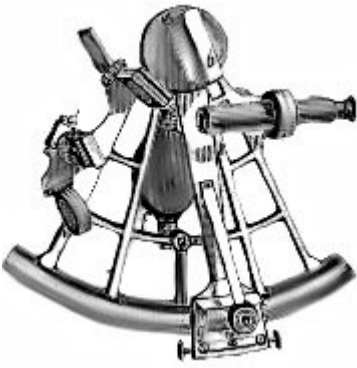


Subject: Saturn V w/Skylab
Manufacturer: Dragon
Product/Stock #: 11021
Scale: 1/72nd
MSRP: \$175 (EBAY)



Show Report

ModelMania 2018



On the 28th of April a large contingent of Alamo Squadron traveled to Houston for their annual show, Modelmania. Reports from the ground were that it was a fantastic show, as it is every year. A huge shout out and thank you to the organizers in IPMS Houston...another very well done and organized show...Huzzah! Special recognition goes out to our Alamo Squadron winners:

Henry Nunez

- 1st & 2nd Place: 54mm & Smaller Figures
- 1st Place: 55mm to 119 mm Figures
- 1st, 2nd and 3rd Place: 120mm & Larger Fig
- 3rd Place: Busts Actual and Fictional
- 1st Place: Diorama Figures

Jose Valdenegro

- 3rd Place: Star Wars/Star Trek

Charles Stone

- 1st Place: Diorama Automotive
- 1st Place: 1/48 Scale Single Engine Jet
- Theme Award: Bent, Busted, Rusted or Wounded with his 32 Ford Victoria

Mike Holsen

- 1st Place: 1/35 Scale Soft Skin
- 3rd Place: Box Stock Aircraft

Rob Booth

- 1st & 2nd Place: Single Inline Engine Prop, 1/72 scale

Dana Mathes

- 1st Place: 1/35 Scale Allied Armor
- 1st Place: 1/35 Scale Modern Armor
- 1st Place: Triple Play

Dick Montgomery

- 3rd Place: Factual Missiles & Space Craft

Other attendees from Alamo Squadron included:

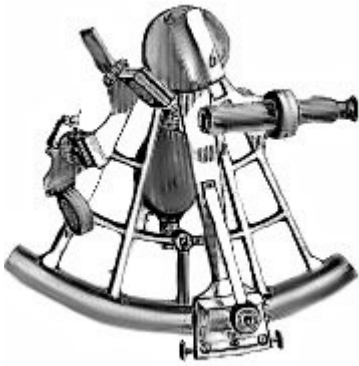
Anthony Neira, John Kress, Charles Holsen, Mike Goolsbee, & Herb Scranton III



Show Report

ScaleFest 2018

Story and Photos by Rob Booth
IPMS #37548



I PMS – NCT held their annual Scalefest show on Saturday, June 2, 2018 in the Grapevine, Texas Convention Center. Alamo Squadron members in attendance included myself, Dana Mathes, John Kress and Chris Settle.

The show was well attended, and most categories were full of excellent examples of modelling skill. The vendor area was full, with lots of bargains to be had. I purchased several CMK and other aftermarket bargains from Squadron's overstock and scratch and dent room, along with a few surprise bargain kits in the large vendor room.

Winners included John Kress in Civil Aircraft and Dana Mathes who scored several Armor medals and captured the "Best Miscellaneous" class award for his Triathlon entry. I managed a first in the Tilt/Rotary category for my 1/48 Piasecki H-21, a second for my 1/72 Spitfire Mk II LR (to a Best-in-Show winning scratch-built floatplane, I might add) in the Conversions, Vacuform and Scratchbuild category, and a third place for my 1/72 Spitfire Mk IXc in a 1/72 single-engine aircraft split. Also garnering a first place out of the two club/group build entries was the Collection of Tex Hill's aircraft that Dick Montgomery and I have been putting together. This was our first try in a contest, and it was well received.

A well-deserved Best of Show went to a completely scratch-built WWI era Gallaudet D-1 float plane. Absolutely stunning scratch build work! All in all it was a good show, and congratulations to all the guys at NCT for a job well done.



ScaleFest 2018 Best of Show:
Scratchbuilt Gallaudet Floatplane



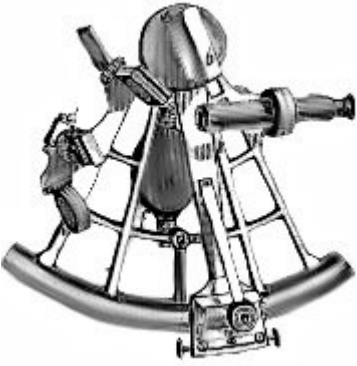
John Kress' Winning Lockheed Vega



Rob Booth's Flying Banana Hauled Home Some Hardware



Dana Mathes took Best of the Misc Class with his Triathlon

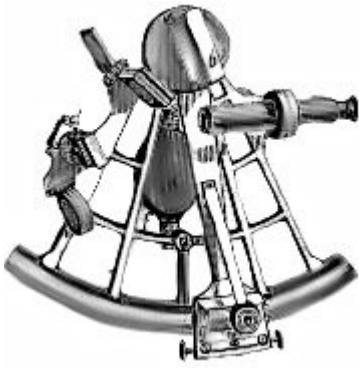


Show Report

ScaleFest 2018



First Place in the Group Entry Category: Rob Booth and Dick Montgomery's "The Tex Hill Collection"



Club Member How-To

Gluing and Repairing Seams

by Craig Gregory
IPMS#49320



Seams are created anytime parts are joined with a butt joint. Almost all aircraft models will have seam lines where the fuselage or wing halves are glued together. The secret to a good seam is proper parts preparation. In addition to the usual parts prep:

Sometimes alignment pins interfere with proper alignment; remove them if needed. Although not classified as flash, a defect along the joint seam where the halves of the mold were joined during manufacturing. It will materialize as a raised ridge of plastic along the seam line. It is usually easier to deal with it now. The mating surfaces between parts may not be true; sand the mating surface with sandpaper while laying the sandpaper inverted on a flat surface.

Using an aircraft fuselage as an example, always start with the top seam. The bottom seam is not as visible and we want to optimize fit and alignment for the best seam along the top of the fuselage.

Begin by securely gluing the fuselage halves together at one end. Begin at the nose as any imperfections in the tail are easier to repair and are usually less noticeable. Slowly work down the top seam using thin liquid cement. Use capillary action to draw cement from the applicator into the seam.

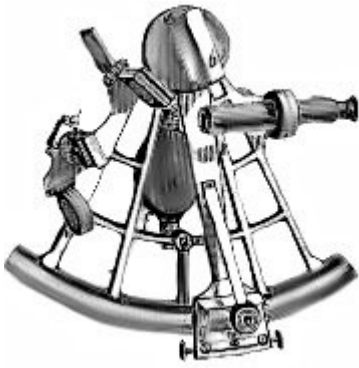
Manipulate the seam into proper alignment while the cement sets. Ideally a bead of liquefied plastic oozes out from the joint when compressed. Be careful not to touch the seam as this will draw cement out of the joint, along your finger and out onto the model surface. (There are no extra modeling points for fingerprints.) Do not use masking tape to secure the joint either, as again, cement will be drawn out of the seam and onto the surface of the model.

Inevitably there will be some clean up or repair of glue seams. If the proper steps were taken during gluing, these imperfections will be minor and easily corrected. But all problems eventually lead back to improperly mated surfaces; either kit induced or introduced by the builder. There are 2 types of seam problems: the surfaces on each side of the joint are not level, or there are gaps along the joint; sometimes both. The severity of the issue also determines the course of action.

To lower the high side: use a lower grit sanding stick and sand away material from the high side. When done, apply liquid surface primer to the seam and re-sand with a finer grit sanding stick. To raise the low side: apply plastic putty to the low side of the seam. After the putty completely hardens, sand smooth concentrating on the puttied area. When satisfied, apply liquid surface primer and re-sand with a finer grit sanding stick.

Hopefully the surfaces on each side of the seam are even and there are small gaps to deal with. Minor to small gap widths can be filled with liquid surface primer; larger gaps with plastic putty. Note that most putties shrink with age. Where possible reduce the amount of putty needed by filling the gap with strips of thin styrene sheet. As always, apply a coat of liquid plastic primer and sand with a fine-grade sanding stick.

You can protect raised surface detail by applying masking tape over the detail. With raised panel lines that cross the seam, try protecting the detail with a finger nail while sanding. For model with engraved panel lines, use an engraving tool to lightly restore any damaged lines.



Building the WhiteKnight

Model, Photos, and Story by Craig Gregory
IPMS#49320

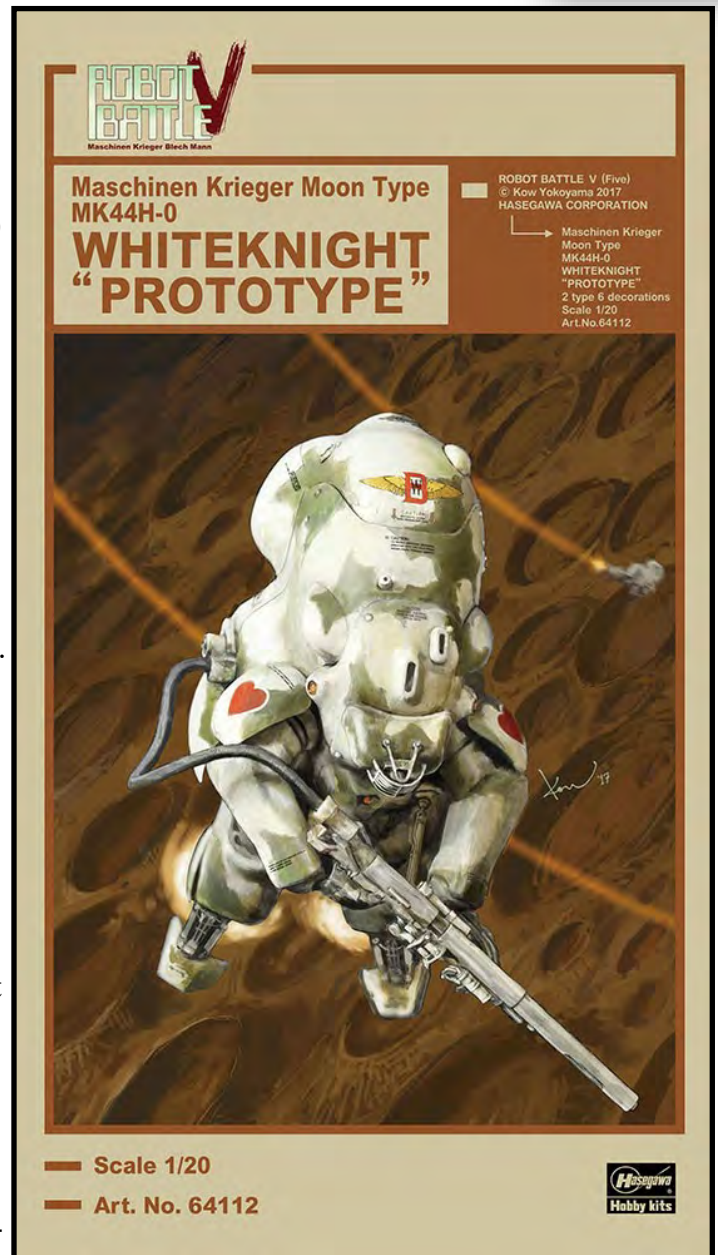


This Whitenight is from a Japanese manga where the “MK44 is a Heavy Armored Fighting Suit which humans using for the defense from an attack of the mad computers.” Hasegawa manufactures the MK44H-0 and several other suits from the Maschinen Krieger ZbV 3000 manga. I have only been modeling for a few years and I normally model modern jets, sci-fi spacecraft or real space. However; since I’m not a Star Wars vs. Star Trek, Picard over Kirk kind of guy, I decided to try something new.

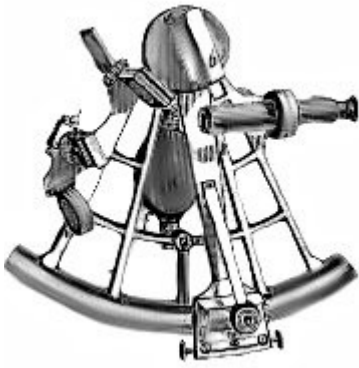
Hasegawa’s MK44H-0 Whitenight Prototype is a 1/20 scale armored suit composed of over 180 pieces. The pieces are modeled on 12 sprues; mostly of blue-grey plastic. A vinyl tree of bushings allows the smooth articulation of the suit in various positions and stances. There is a ton of detail in this model, especially in the cockpit area. The cockpit area of the model is a slip and slide, push/slide contraption that allows the front of the model to be separate and the interior exposed. (Fit problems forced me to model the suit with the cockpit area sealed; details below.)

The model includes decals for four different squadrons. You don’t have to choose your paint scheme yet as the basic building technique will be the same for any squadron. Build in sub-sections, paint and then snap the sub-sections together to assemble a final model. Some parts should be omitted from the sub-sections (the knee caps, for example) and attached during final assembly. I wouldn’t say this is a complicated build, but there are a lot of plastic pieces to lose track of. Just follow the instructions and watch out for left and right.

The legs are constructed following steps 1 thru 10. When completed you have the feet, shin and thigh assemblies. I choose to omit parts F7 (x2), B12 and B13



to paint and attach later. Be careful to mind your left and right when building the thighs. You must construct a left thigh by drilling 2 holes into a D4 and a right thigh by drilling 2 holes into a D3. Remove any seam lines, prime the surfaces and repeat until satis-



Cover Story

Building the WhiteKnight



sides of the headrest red. Behind the pilot's seat is a tank with miscellaneous plumbing. I painted the tank green and the piping copper. I dry pushed A8 with silver, masked the grill work and painted it green. Part C16 was painted burnt umber. The pilot's seat assembly was completed and I followed with a black oil wash. One could certainly add a few more colors in the cockpit by some of the different details. (Most of these details ended up to be hidden when I decided to sealed the cockpit.)



fied with the sub-assemblies. Protect the ball-joints from paint and be sure to prime and parts omitted from construction.

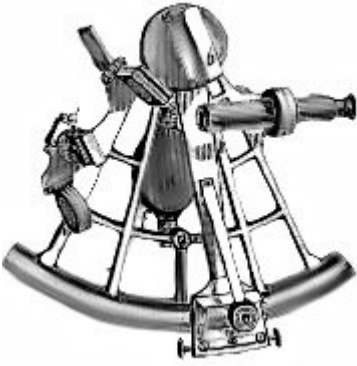
The body is constructed following steps 12 thru 24, but I would attack it as 4 sub-assemblies: the hatch (step 12), the body front (steps 13 thru 17), the pilot's seat (steps 18 thru 20) and the body back (steps 20 thru 24).

The hatch, body front and pilot's seat are straight forward. During primary construction I omitted the rivet detail. I omitted attaching the hinged armored sections at this time as well; I figured I might break them off while handling the model. I omitted at this time parts A18, A8 and C16 from the pilot's seat assembly.

With the basic construction of the hatch, body front and pilot's seat completed, I painted the inner surfaces medium gray. I painted the seat brown with the

Cover Story

Building the WhiteKnight



During the dry fit of the front and back halves of the body, I found a major fit problem between parts A1, A2 and M2. Part A2 flared too much at the top and when pinched to bring it in alignment with A1, bowed away from part M2. I decided to forgo being able to remove the body front. I permanently glued the body front and back together and commenced on filling/shaping the seam. After all the seam work was done I applied the rivets (parts B1) to the body. I did not attach the waste armor (D25 x2) or the shoulder armor (D25 x2).



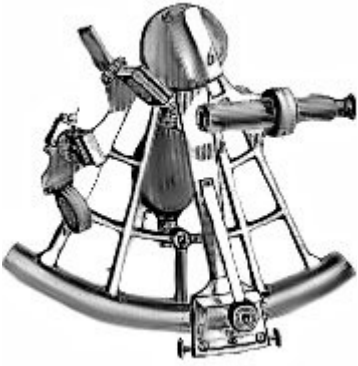
Most of my surfaces were already primed while checking for and repairing seams. I gave everything 1 final primer coat and masked off a crude camouflage pattern. I separated the model back into its sub-assemblies for painting. And painted the model (except for the feet) gloss white; gloss will help when applying the decals. A light coat of clear gloss was

applied in preparation for the decals. I had no problems with the decals. They released from the carrier and laid down easily. I did have to use Solvaset to settle the decals around the complex curve of the shoulder plates. I completed the model by applying a clear coat of satin varnish.

In retrospect I could have left the cockpit unsealed. However, I couldn't think on how I would display the model in competition without building a mini diorama to hold the front and rear body shells for display. By taking my time and "reading" the instructions (looking at the pictures because they are in Japanese), I mistook a left side part for a right side part only once. The overall fit is excellent, except where noted. The decals are excellent. It was a mostly enjoyable build.



Feature Story



Beijing Model Run

Story and Photos by Craig Gregory
IPMS# 49320



My story of plastic model hunting in the Middle Kingdom started with my trip in January 2016 and I just recently returned from another trip to Beijing in November 2016. Here is my travel blog from these two visits and an experience I had in February 2014. (And now updated with a trip in March/April 2018.)



My first Chinese plastic modeling experience was in February 2014 when I visited my wife's hometown Zigong in Sichuan province. She refers to it a small city of "only 1.2 million". While walking we crossed a minor intersection using the ever present underground passageways. Under this intersection was a small plaza lined with simple 10' wide cubby holes with a metal door that was rolled down when closed. Luckily they were open because there was no signage. Alone one of the walls I spotted several stacks of plastic models. Only a fellow modeler would have spotted them.

I can't really remember what models were there, but after a few minutes of rummaging I found two Hobby Boss 1/72nd modern jet fighters. Of course, and this is typical of these types of shops, there were no prices. My wife approached the shop keeper and inquired, who did a quick Internet search, typed something on a calculator and answered 120 RMB each, or about \$19 at the time. My wife asked me if I wanted to buy them and I said yes, because I knew the negotiations pro-

cess was to follow. After hearing many words I didn't understand, but seeing body language I did, my wife asked me if 140 RMB was OK. So I purchased both models for about \$22. We passed the shop two other times, but we never found the door open again.

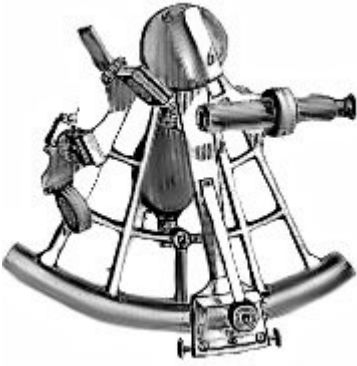
Fangjia Model Shop (01/10/2016)

During my January 2016 trip to Beijing, my wife's cousin and husband were to treat us to Beijing Duck. They picked us up at our apartment and we drove to a local tourist area just north of the Forbidden City. I didn't know that my wife had asked them to search for a street address of a hobby shop I had found on the Internet. So I was wondering why we began zigzagging thru the streets of Beijing as I knew or destination was a few blocks to the west of us. I was embarrassed when my wife told me what we were looking for. After counting down the street numbers on the buildings, a quick U-turn in traffic and double parking on a busy street to get out of the car, but we had found it.

The only features recognizable of a hobby shop were the boxes of Gundam models in the window. The hours were posted in the window stating that they should be open. As I peered thru the window of a closed hobby shop, my wife inquired in the adjacent shop as to if the hobby shop was actually open for business. She came back telling me that the shop owner had just had a baby and the store's hours were erratic. As we mulled around in front of the store contemplating our next move, a young man approached and ask if we were there waiting for the hobby shop to open. We said yes (I guess that is what my wife said.) The young man got out his cell phone, called the store owner and told them there was someone waiting for the hobby shop to open. Within 10 minutes a woman carrying a baby graciously opened

Feature Story

Beijing Model Run



the store and invited us in.

Fangjia Hobby Shop is primarily Gundam. The shop was quite small, approximately 20' x 15', but was crammed floor to ceiling with models, modeling paint and modeling tools. I hurriedly made some selections since my wife's cousin and husband were escorting us. I bought seven models totaling 142 RMB or about \$23. I knew luggage space going home was limited, so I bought smaller kits. Oh, and the Beijing Duck was excellent; all-in-all a good day. Better yet, while I was shopping, my wife talked to the owner and learned of another hobby shop.

Fangjia Model Shop (01/10/2016)

Again I was on a bus venturing out on my own to visit the first hobby shop I found in Beijing. This time it was mostly Gundam. I did find a few items to buy. The jewel of my hobby shop visits was the Bandai 1/144th scale Millennium Falcon; it was a little more than US prices, but I had to have it. My wife was disappointed in me because did not negotiate during my previous outing. So, I was going to try this time. The total for purchase was 996 RMB, I typed 900 into my iPhone calculator app and pointed to my pile of items; the owner nodded her head up-and-down.

Xinshi Hobby (01/13/2016)

A few days later my wife and I were on a bus following the information my wife gleaned from the previous hobby shop owner and her search of the Internet. Again I had an address but no confirmation an actual active hobby shop. This must have been about the 5th time my wife escorted me around Beijing looking for hobby shops; must with out success.

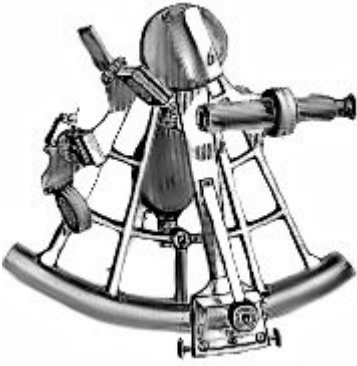
The Xinshi Hobby Shop is much larger; 25' by 25' and 2 floors. The first floor contained a wide select of genre with Trumpeter, Tamiya, Hasegawa, Hobby



Boss and Meng were well represented. The second floor was dedicated to armor but was not yet stocked and contained only about 20 kits. It's hard to describe the density of the models. But by stocking many kits from the same manufacturer, the boxes tend to be the same dimensions and they are stacked neatly floor to ceiling, column after column. I purchased 3 kits for 387 RMB; the equivalent of \$64. And here is a YouTube video of Xinshi Hobby I found: <https://www.youtube.com/watch?v=nbfRRig-05s>.

Feature Story

Beijing Model Run

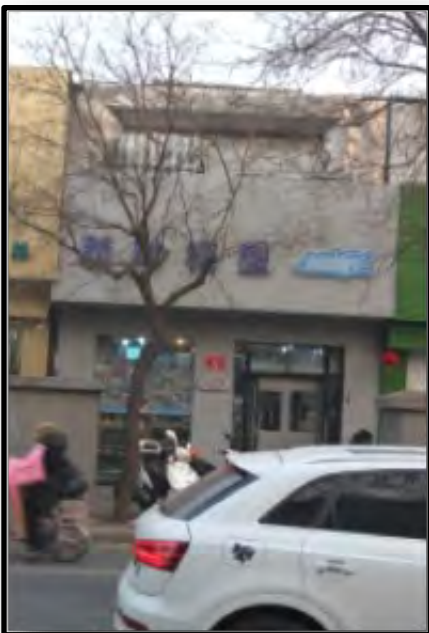


The secret to utilize available luggage space effectively is condensing the kit contents into fewer boxes. I was able to pack 10 models into the boxes of two larger models I bought. I carefully flattened the unused boxes for reconstruction when I returned home.

I return to the US with 16 models, various tools and paints. Amazingly I was able to fit seven 1/48th scale models in my luggage (along with the other items.) This was a fun trip.

Xinshi Hobby (11/25/2016)

On my return trip to Beijing on November 2016 I headed to the Xinshi Hobby Shop first. I ventured out on my own taking bus #22 for five stops. The bus stop is directly across from the hobby shop. This was my 9th trip to Beijing so I felt comfortable taking the bus and knew that my few words in Chinese would be good enough.



I had a list of 1/48th scale modern jets I was looking for, I began looking thru the stacks of models and found most of my list. At the top of my list was the new Tamiya F-14A kit. But they did not have it and I noticed that there were very few Tamiya as compared to my January 2016 visit. One of the store's employees spoke enough

English to tell me that since there is not a major distributor in China, it's hard to stock Tamiya. They did have all of the Hobby Boss items on my list and the second floor was completely stocked with armor kits. Some of my purchases (in US dollars equivalent) were: Hobby Boss #81711 SU-27 Flanker B A-6E (\$37), Hobby Boss #81710 A-6E TRAM Intruder (\$53) and a Bronco #FB4004 J-10/10A (\$18).

Xinshi Hobby (3/29/2018)

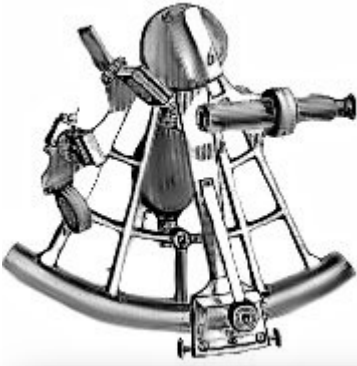
So here is the back story: I was heading to Beijing to pick up my wife and move her permanently to the US. She is a university professor and during the 5 years that we have been married she has time-shared living in the US and China. She finally finished her teaching career and retired. I went to Beijing to clean out our apartment (we would be renting it out) and stuff whatever we could into 4 checked bags. However; we have a friend in the US that had dropped me off at the airport and would be picking us up when we landed in SA. My wife insisted that we would have enough room to bring back a model for him.

It had been over a year since I had last visited China. When I walked into Xinshi Hobby I immediately noticed that all the airplane models were gone (sad face.) Previously, 1/2 of the 1st floor was dedicated to aircraft; now it was dedicated to ships. I did discover that the aircraft section had been moved upstairs (happy face.) But reflecting on my previous visits I was wondering what the change in inventory meant:

Jan/2016 – 1st Floor: 50% aircraft, 33% ships, 17% misc. 2nd Floor: only a few armor models. Lots of Tamiya, Hobby Boss, and a little Trumpeter. I noticed that there were a lot of 1/700 scale ships (a lot.) There was a full line

Feature Story

Beijing Model Run



hard to get Tamiya imported consistently.

Mar/2018 – 1st Floor: 50% ships, 505 MISC. 2ND Floor: 50% armor, 50% aircraft. There were a lot of Tamiya kits and fewer Trumpeter kits; of course a lot of Hobby Boss and Meng armor. There was a total restock of Tamiya paints.

If they are stocking what is selling, it looks like interest in aircraft and armor is decreasing while interest in ships is increasing. I noticed that the Fangjia Model Shop has gone totally Gundam and Anime. I think Xinshi Hobby is staying mostly out of the market segment.

So my big find this trip? I bought 24 bottles of Tamiya paint to round out my supply \$1.59 each. I now have almost all the colors in X and XF. I bought a Hobby Boss 1/48 A-4F as a gift for a friend; \$25.15. Remember that all most all of our luggage was needed to move my wife to the US.

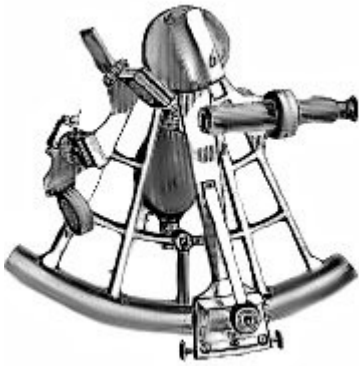
Can someone explain global trade to me? Why does a bottle of Tamiya paint cost \$1.59 in China and \$2.25 in the US?

of Tamiya, Vallejo and Mr. Color paints.

Nov/2016 – 1st Floor: 50% aircraft, 33% ships, 17% misc. 2nd Floor: 100% armor; Meng & Trumpeter mainly. There was a large display of armor built by the store owner and figured that the large increase in armor inventory was primarily due to his interest. The stock of Tamiya paints was thin and very few Tamiya kits in general; I was told that it was just very



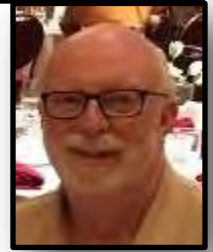
Feature Story



History of Alamo Squadron:

A New Beginning

by Dick Montgomery
IPMS # 14003



In previous editions of the Navigator the rise and decline of SAMS (San Antonio Modelers Society) was documented. SAMS was dissolved by its remaining members in August, 1974 after having been an impressive club populated by dedicated modelers and knowledgeable leaders. At some point in 1973-1974 the club began to fail meeting the interests and needs of the membership, and the membership failed to rise to the occasion, leaving the club with no clear path forward. Club assets, as prescribed in the SAMS documentation, were distributed to the membership in an equitable fashion. The lights were turned off and the door was closed.

For the next three years some former SAMS members continued to communicate with one another, with occasional visits with other modelers, and continued to pursue their individual and mutual interests in modeling. In that same time period, IPMS-USA entered its teen-age years and some of the former SAMS members continued to participate in “organized” modeling via their membership in IPMS.

By 1977 the environment for the establishment of a new modeling club in San Antonio began to develop. A handful of former SAMS members, and other modelers who had come on the scene, outside of the SAMS experience, began to feel that it was the right time to test the waters, to discuss the possibility of organizing a new and different modeling club. The groundwork was laid for a meeting to be held, with the goal of establishing a modeling organization, and on November 11, 1977, those present at this “congress” laid out the basic structure and philosophy of this new organization.

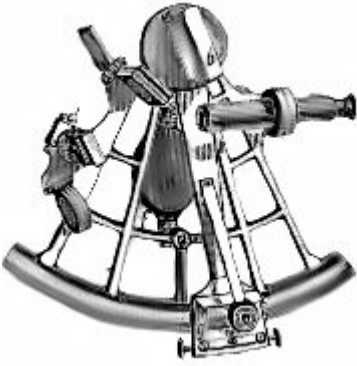
One of the primary features of this new club was that it would be laid out following the guidelines of IPMS-USA. This decision, above all other decisions about

the nature of the club, has never changed. The club was born an IPMS chapter and has continued to enjoy the benefits of IPMS affiliation since that time. No records have been found and archived for these early years of the club, specifically from November of 1977 through 1979, but some information has been found in a publication that was published by some club members and through discussions and interviews with some of those members who remain in San Antonio after all these years (41 years at the time of this writing).

The first question that most readers would ask is, “When did the club adopt the name, Alamo Squadron?” The answer is, unfortunately, rather vague. The name, “Alamo Squadron” seems to have been adopted by the club between November 1977 and 1979, at which time documentation bears that specific title. Credit for suggesting the title cannot be granted to any specific person as memory fails and documentation (at least at this time) does not exist. However, when pressed, my first reaction would be to credit any of three of the Founders, those persons being Bob Angel Ros Creed, and Mike Derderian. But again, this is no more than a vague notion that it was one of these three gents.

Records indicate that there were no officers selected, nor was there a regular meeting site at the time of the initial meeting. Meetings were held at the homes of various members through 1977 and through all or most of 1978. By 1979, the club held regularly scheduled meetings at the Party Room at the London House Apartments. And at some point, in 1978 Roscoe Creed was elected as the President of Alamo Squadron. If memory serves, he became the first President of Alamo Squadron early in 1978 (the club was not formed until November of 1977) and Roscoe remained in that

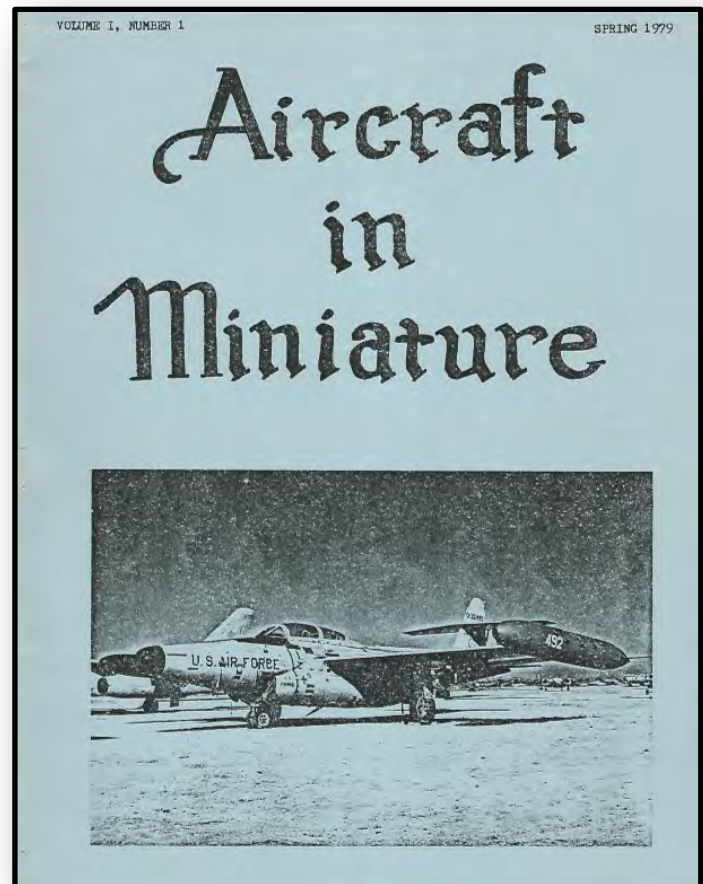
Feature Story



office until August of 1980. No other officers have been identified although I would be surprised to find that there were not others, or at least a Vice-President. In 1981 Tom Ward succeeded Roscoe as the club's President and remained in that office for one year. Once again, no other officers can be identified in the rather thin collection of publications or paperwork that is currently included in the club archive.

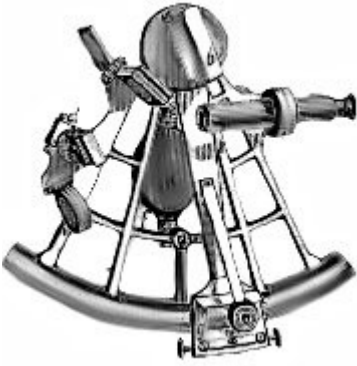
A major activity in the club that took place in these first, early years was the publication of "Aircraft in Miniature". As with the SAMS publication, AIM was identified, not as an Alamo Squadron publication, but as a stand-alone publication dealing with aviation subjects and history. AIM also served as a place to discuss new modeling techniques, and other "how to" articles. AIM had an impressive staff. From 1978 to 1980 Lee Bracken served as the editor, Bob Angel managed the layout, and Frank Garcia administered production of each edition. It is also obvious from the title of the publication that the central theme and focus of the articles would be on aircraft. In fact, the club, at this time was, more or less, an aircraft club, and even more significantly, rather focused on 1/72nd aircraft. Of course, that focus, as well as the interest of the members in that particular scale could be attributed to the fact that 1/72nd scale aircraft tended to dominate the modeling scene. While there were those who dipped their hands into scales other than 1/72nd, and into subject matter other than aircraft, the club could, at this time, be characterized as a 1/72nd scale Aircraft group. (I raise my hand to both of the "other than" issues mentioned above.)

A quick look at the contents of a pair of "AIM" publications followed by some excerpts from a club newsletter will provide a sense of the personality of Alamo Squadron in these early years. It is clear from the AIM



publications that the "scale of interest" was 1/72nd, and the "subject matter of interest" was aircraft. And the excerpts from the June, 1981 club newsletter are interesting as well. These excerpts are interesting in that they show that there was an interest in a scheduled, advertised program at the monthly meetings. The Door Prize item and the results of the monthly contest indicate that 1/72nd was the preferred scale and that the subject matter favored aircraft models.

Feature Story



A Review of the first issue of "Aircraft In Miniature":

AIM - Volume 1, No. 1 Spring 1979 edited by Lee Bracken, layout by Bob Angel, production by Frank Garcia.

- The Spares Box- Kit Review by Bob Angel featuring six 1/72nd scale aircraft.
- "The F-89 Scorpion" by Lee Bracken
- "The Dauntless Revisited" by Bob Angel
- AIM - Volume 1, No. 2 Summer 1979 edited by Lee Bracken, layout by Bob Angel, production by Frank Garcia.
- Hawaiian Air Nat. Guard Markings by Lee Bracken
- The Spares Box- Kit Review by Bob Angel featuring twenty three 1/72nd scale aircraft kits.
- "The F3H Demon" by Lee Bracken
- Late War Irvings by Bob Angel
- Texans (AT-6) at Luke by Bob Angel

From the club newsletter, June 21, 1981 ---Written by Roscoe Creed, President June, 1981:

The program: Capt. Frank Emmett says if there's anyway possible, he'll have a good Air Force film for us. In June Col. Dennis Smith -- a C-130 pilot in Vietnam -- showed slides he took while on tour there. Good show!

Door prize. At the June meeting, Lee Bracken won a 1/72 Twin Mustang. Something nice again this time.

Monthly contest. Well, why not? June winners:

First, Bob Angel, 1/72FW190-A;

Second, Tom Ward, 1/76 Bofors 40 mm AA gun;

Third, Denny Smith, 1/72 Vought F-8.

And finally, from the newsletter, there is a preview of an activity that has come to personify Alamo Squadron, that being the hosting of an annual model contest. Here's that excerpt from the newsletter.

"Alamo Squadron Super Contest still doesn't have a home."

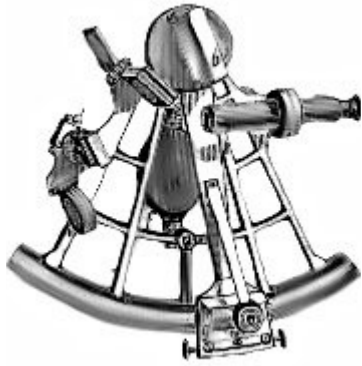
This excerpt is clearly an indication that the club, in June of '81, was entertaining the idea of a large "super" contest, but that is a story for the next article in this "History of Alamo Squadron".



1st President of Alamo Squadron: Roscoe Creed



2nd: President of Alamo Squadron: Tom Ward



Upcoming Events

IPMS Region 6

Next Meeting: Thursday, June 7th, 2018 at 7:00PM

Location: Northside Ford of San Antonio

June 8, 2018
SoonerCon 2018
Council Road Baptist Church
7903 NW 30th
Bethany, OK, 73008



July 21, 2018
HAMS Annual Model Show & Contest
Cypress Creek Christian Community Center
6823 Cypresswood Drive, Spring, TX 77379
<https://www.ipms-hams.org/annual-contest/>



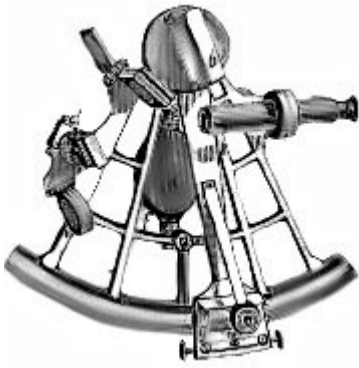
1-4 August, 2018
IPMS/USA National Convention
Phoenix Convention Center
100 N 3rd St, Phoenix, AZ 85004
<http://www.ipmsusanationals2018.org>



September 8, 2018
SuperCon
Bob Duncan Community Center
2800 S. Center St.
Vandergriff Park, Arlington, TX
<http://www.fortworthscalemodelers.org/SuperCon.html>



Scale Modelers



About Alamo Squadron

Executive Board 2018-2019



President
Herb Scranton III
IPMS #48314
president@alamosquadron.com



Vice President:
Jose Valdenegro
IPMS #50490
vp@alamosquadron.com



Treasurer:
Dana Mathes
IPMS #43781
sec-treas@alamosquadron.com

IPMS/USA Alamo Squadron was founded on November 17th, 1977 in San Antonio, Texas, for the enjoyment of building scale models and the camaraderie of the members. It is a hobby-centered social organization which, at its core, is focused on scale modeling of all kinds. It is an excellent source of information for those who wish to enhance their modeling skills and improve their modeling techniques, and is open and inviting to visitors and guests. Dues are \$24.00 a year, due to the treasurer on September 1st of each year.

Alamo Squadron has been hosting ModelFiesta since 1981. Locations have included the Wonderland Mall, a Holiday Inn, the Seven Oaks Motel & Convention Center, the Live Oak Civic Center and the new location in 2013, the San Antonio Event Center.



QR Code for our Web Site
Scan it with your cell phone's QR software to get to our web site!

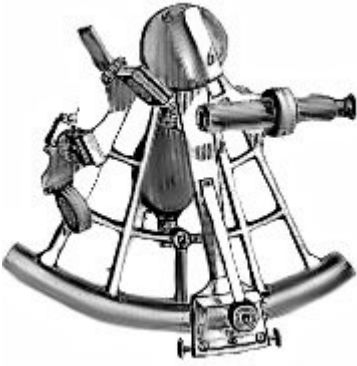


QR Code for our Facebook Page
Scan it with your cell phone's QR software to get to our home on FB

www.alamosquadron.com



Final Words ...



**NOW YOU BE A
GOOD BOY FOR MOMMY**



**AND SWALLOW
ALL DADDYS NASTY
MODEL PARTS NOW**

<http://www.ipmsusa.org/>

IPMS/USA MEMBERSHIP FORM			
IPMS No.:	Name: _____		
Address: _____	If Renewing	First	Middle Last
City: _____	State: _____	Zip: _____	
Phone: _____	E-mail: _____		
Signature (required by P.O.) _____			
Type of Membership	<input type="checkbox"/> Adult, 1 Year: \$30	<input type="checkbox"/> Adult, 2 Years: \$58	<input type="checkbox"/> Adult, 3 Years: \$86
<input type="checkbox"/> Junior (Under 18 Years) \$17	<input type="checkbox"/> Family, 1 Year: \$35 (Adult + \$5, One Set Journe) How Many Cards? _____		
<input type="checkbox"/> Canada & Mexico: \$35	<input type="checkbox"/> Other / Foreign: \$38 (Surface) Checks must be drawn on a US bank or international money order		
Payment Method: <input type="checkbox"/> Check <input type="checkbox"/> Money Order			
Chapter Affiliation, (if any): _____			
If Recommended by an IPMS Member, Please List His / Her Name and Member Number:			
Name: _____	IPMS No.: _____		
IPMS/USA		PO Box 56023	
Join or Renew Online at: www.ipmsusa.org		St. Petersburg, FL 33732-6023	

Alamo Squadron's newsletter, "The Navigator", is published monthly by IPMS/USA Alamo Squadron of San Antonio, for the enjoyment of the members of Alamo Squadron and its friends around the world. Articles, reviews, news items, and other hobby-related contributions are very welcome. Send text file, photos, and web sites as well as feedback to our editor, Len Pilhofer: pilhofer@hotmail.com

Support your Local Hobby Shops!

For models, paints, books, decals, tools and more!

Special Orders
Mail Orders dibbleshobbies@gmail.com

DIBBLE'S HOBBIES
Trains, Planes, and Other Things

1029 Donaldson Ave.
San Antonio, Texas 78228

Tues-Sat. 10am-6pm
(210) 735-7721

Email: dibbleshobbies@gmail.com

HILL COUNTRY HOBBY

9355 BANDERA RD. #109
SAN ANTONIO, TEXAS 78250
(210) 681-2007

GARY EMERY
HILLCOUNTRYHOBBY.COM
GARY@HILLCOUNTRYHOBBY.COM

<https://www.hillcountryhobby.com>

HobbyTown USA

2501 NW Loop 410, Suite A • San Antonio, TX 78230

210.348.8697 san hobby@aol.com www.hobbytown.com/boa

<https://www.hobbytown.com/san-antonio-tx/l108>